



# LED FLOODLIGHT COMPACT series

**IP66**  
rated

**20,000**  
hour  
LIFETIME

**2**  
Year  
Warranty

LED SMD COMPACT Floodlights are a great step forward in the lighting industry. Their energy consumption is much lower and performance is often higher than that of all other widely used types of fixtures. Our floodlights can be mounted with a yoke.

SMD LED Modules used in LED SMD COMPACT Floodlights are very reliable and make the light produced by fixtures pleasant for eyes, even, constant and bright.

LED SMD COMPACT Floodlights are universal, have nice design and can be used anywhere, both in commercial and residential environment: parking lots, backyards, walkways, industrial spaces – any places where you need bright and constant light.



## FEATURES AND BENEFITS:

- ✓ Great energy savings compared with any other floodlights
- ✓ Resistance to high and low temperatures
- ✓ No maintenance costs
- ✓ Suitable for wet locations
- ✓ Suitable for uplighting & downlighting
- ✓ Lifetime > 20,000 hrs
- ✓ 2-year limited warranty

Family	Watts	CCT
<b>CSFL</b>	<b>XX</b>	<b>50</b>
COMPACT SMD Floodlight	<b>10 = 10 W    30 = 30 W</b> <b>20 = 20 W    50 = 50 W</b>	5000 K

## LED SMD COMPACT FLOODLIGHT:

Model	LED	Watts	Dimming	CCT	Lumens	Dimensions (LxWxH)
CSFL-1050	SMD	10 W	no	5000 K	750 lm	5.5"x5.4"x1.1"
CSFL-2050	SMD	20 W	no	5000 K	1500 lm	7.7"x7.4"x1.4"
CSFL-3050	SMD	30 W	no	5000 K	2250 lm	9.5"x8.3"x1.7"
CSFL-5050	SMD	50 W	no	5000 K	3750 lm	9.5"x8.3"x1.7"



# LED FLOODLIGHT COMPACT series

## PRODUCT SPECIFICATIONS:

Model	CSFL-1050	CSFL-2050	CSFL-3050	CSFL-5050
<b>Construction &amp; Materials</b>				
Housing	Aluminum			
Reflector	Aluminum			
Glass	Tempered glass			
Mounting	Yoke			
Finish Color	Black			
Weight	1.06 lb (0.48 kg)	2.1 lb (0.95 kg)	3.46 lb (1.57 kg)	3.55 lb (1.6 kg)
<b>Environmental System</b>				
Work Environment	Suitable for Wet Locations			
Operating Temperature	-40~104°F (-40~40°C)			
L70 Life	20,000 Hrs.			
<b>Optical System</b>				
Luminous Flux	750 lm	1500 lm	2250 lm	3750 lm
Luminous Efficacy	75 lm/w			
Color Temperature	5000 K			
CRI	70			
<b>Electrical System</b>				
Input Voltage	100~277VAC 50/60 Hz			
Off State Power	0 W			
Power Consumption	10 W	20 W	30 W	50 W
Power Factor	≥ 0.9			
THD	< 20%			
Output voltage	28-38 V			
Max current	135 mA	315 mA	254 mA	414 mA

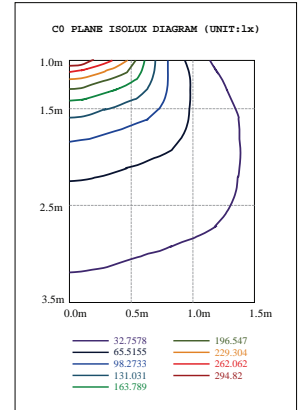
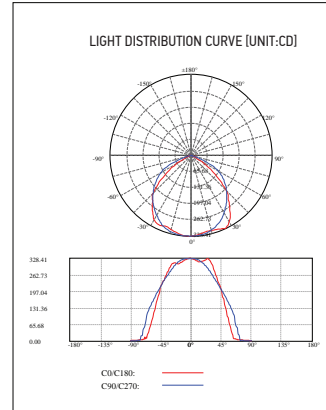
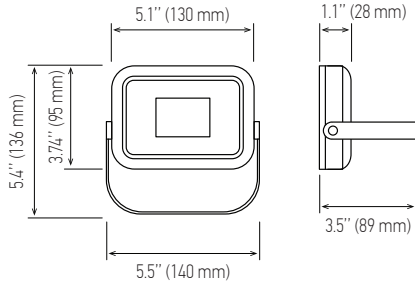
## LED SMD FLAT FLOODLIGHT ORDERING INFORMATION:

Model	Watts	GTIN 12	GTIN 14	Product Code	Pcs in one Carton	Carton Size	Carton Weight
CSFL-1050	10 W	855029006126	10855029006123	124.0105	40	13.2"x13"x11.8"	48 lb
CSFL-2050	20 W	855029006133	10855029006130	124.0106	24	17.5"x9.45"x16.3"	55 lb
CSFL-3050	30 W	855029006140	10855029006147	124.0107	10	21.1"x9.8"x9.3"	37 lb
CSFL-5050	50 W	855029006157	10855029006154	124.0108	10	21.1"x9.8"x9.3"	38 lb

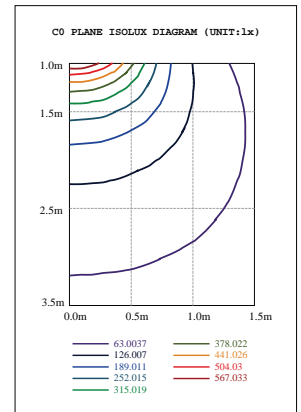
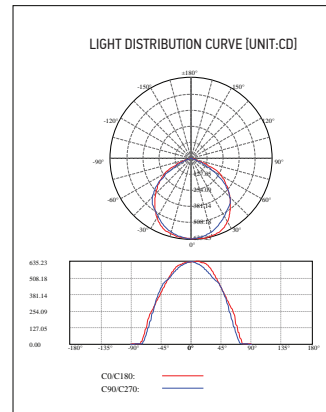
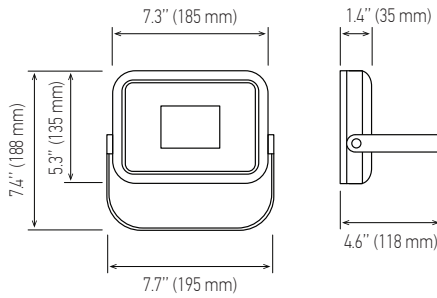


# LED FLOODLIGHT COMPACT series

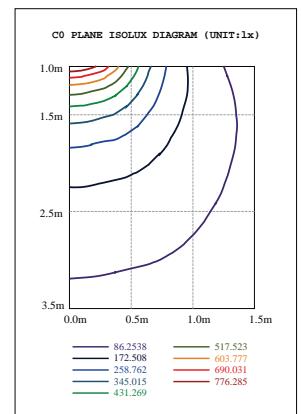
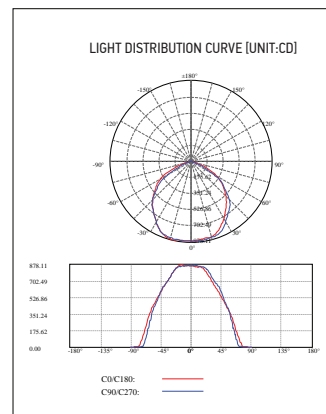
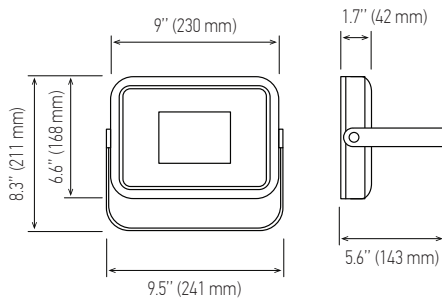
CSFL-1050



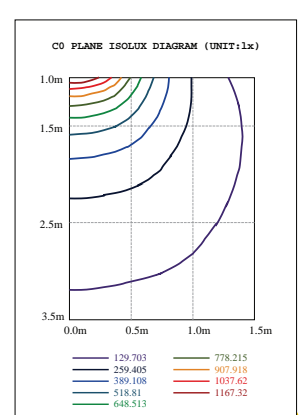
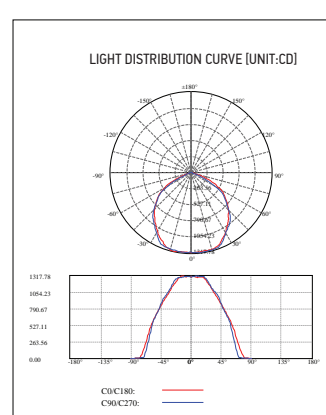
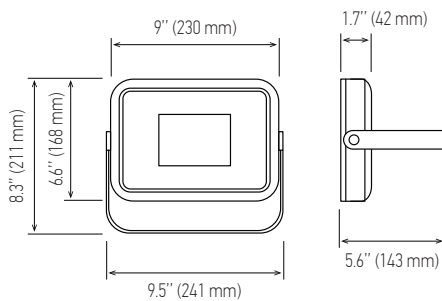
CSFL-2050



CSFL-3050



CSFL-5050





## ⚠ WARNING

### **RISK OF PERSONAL INJURY – READ and follow all WARNINGS and installation instructions.**

Keep or give to the owner for future reference.

**Risk of cuts:** Wear gloves to prevent cuts or abrasions when removing from carton, handling, installing, and maintaining this product.

**Risk of electric shock:** This product must be installed in accordance with the applicable installation code by a person familiar with the construction and operation of the product and the hazards involved.

**Risk of Fire:** Minimum 90°C supply conductors. Consult a qualified electrician to ensure correct branch circuit conductor. Supplier assumes no responsibility for claims arising out of improper or careless installation or handling of this product.

## ⚠ AVERTISSEMENT

### **RISQUE DE BLESSURES - Lisez et suivez toutes les MISES EN GARDE et les instructions d'installation.**

Tenir ou fournir au propriétaire pour référence future.

**Risque de coupures:** Porter des gants pour éviter les coupures ou des écorchures lors du retrait du carton, de la manutention, l'installation et le maintien de ce produit.

**Risque de choc électrique:** Ce produit doit être installé conformément au code d'installation applicable par une personne familiarisée avec la construction et l'exploitation du produit et les risques impliqués.

**Risque d'incendie:** minimum 90° C Alimentation conducteurs. Consultez un électricien qualifié pour assurer le bon conducteur de circuit de dérivation.

Supplier n'assume aucune responsabilité pour les réclamations découlant d'une installation inadéquate ou négligente ou de la manipulation de ce produit.

## ⚠ ADVERTENCIA

### **RIESGO DE LESIONES PERSONALES – Lea y siga todas las advertencias e instrucciones de instalación.**

Mantener o proporcionar al propietario para referencia futura.

**Riesgo de cortes:** Use guantes para evitar cortes o abrasiones en la eliminación de la caja, manejo, instalación y mantenimiento de este producto.

**Riesgo de choque eléctrico.** Este producto debe ser instalado de acuerdo con el código de instalación aplicable en que una persona familiarizada con la construcción y operación del producto y los riesgos involucrados.

**Riesgo de incendio:** Mínimo 90° C los conductores de suministro. Consulte a un electricista calificado para asegurarse el conductor correcto del circuito.

Supplier no asume ninguna responsabilidad por reclamaciones derivadas de una instalación inadecuada o negligente o la manipulación de este producto.



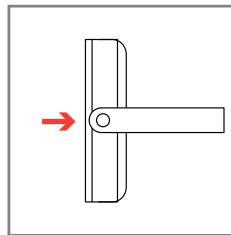
## IMPORTANT SAFETY INFORMATION

**Please read all the instructions below before installation.**

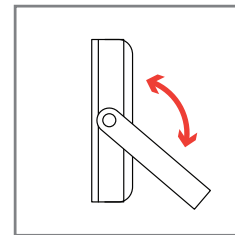
- Make sure that the supply voltage corresponds to the rated product voltage.
- The product is designed for indoor and outdoor use.
- The product must be installed by a qualified electrician in accordance with the National Electrical Code and corresponding local codes.
- If the product is damaged, do not use it.
- All wiring connections should be capped with UL approved wire connectors.
- This fixture is intended to be connected to a properly installed and grounded UL listed junction box with suitable strain relief means for power cord. The junction box is not included, should be purchased separately.

## INSTALLATION STEPS

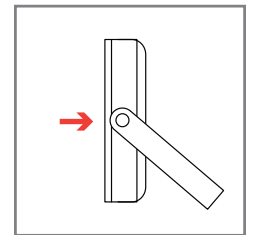
1. Turn off the main power.
2. Adjust the yoke (the yoke allows you to choose the necessary light direction and to set the desired angle of a lighting fixture):



*Use a wrench to loosen the screw on the yoke*

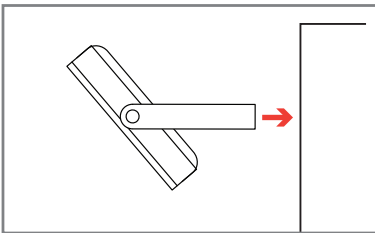


*Adjust the yoke to your desired angle*



*Tighten the screw*

3. Fix the lighting fixture with screws of corresponding size.



5. Turn on the main power. Installation is finished.

4. Connect power cord of COMPACT Floodlight to the nearest properly installed and grounded UL listed junction box of power with suitable strain relief means for power cord.

