



LED FLOODLIGHT COMPACT with arm series

LED SMD COMPACT Floodlights are a great step forward in the lighting industry. Their energy consumption is much lower and performance is often higher than that of all other widely used types of fixtures. Our floodlights can be mounted directly to electrical boxes or to poles with 1/2" threaded inserts.

SMD LED Modules used in LED SMD COMPACT Floodlights are very reliable and make the light produced by fixtures pleasant for eyes, even, constant and bright.

LED SMD COMPACT Floodlights are universal, have nice design and can be used anywhere, both in commercial and residential environment: parking lots, backyards, walkways, industrial spaces – any places where you need bright and constant light.



FEATURES AND BENEFITS:

- ✓ Great energy savings compared with any other floodlights
- ✓ Resistance to high and low temperatures
- ✓ 1/2" NPS threaded locking swivel arm
- ✓ No maintenance costs
- ✓ Suitable for wet locations
- ✓ Suitable for uplighting & downlighting
- ✓ Lifetime > 20,000 hrs
- ✓ 2-year limited warranty

| Family | Arm | Watts | CCT |
|------------------------|----------|--|-----------|
| CSFL | A | XX | 50 |
| COMPACT SMD Floodlight | with arm | 10 = 10 W 20 = 20 W 30 = 30 W 50 = 50 W | 5000 K |

LED SMD COMPACT FLOODLIGHT WITH ARM:

| Model | LED | Watts | Dimming | CCT | Lumens | Dimensions (LxWxH) |
|------------|-----|-------|---------|--------|---------|--------------------|
| CSFL-A1050 | SMD | 10 W | no | 5000 K | 750 lm | 5.5"x5.4"x1.1" |
| CSFL-A2050 | SMD | 20 W | no | 5000 K | 1500 lm | 7.7"x7.4"x1.4" |
| CSFL-A3050 | SMD | 30 W | no | 5000 K | 2250 lm | 9.5"x8.3"x1.7" |
| CSFL-A5050 | SMD | 50 W | no | 5000 K | 3750 lm | 9.5"x8.3"x1.7" |



LED FLOODLIGHT COMPACT with arm series

PRODUCT SPECIFICATIONS:

| Model | CSFL-A1050 | CSFL-A2050 | CSFL-A3050 | CSFL-A5050 |
|-------------------------------------|------------------------------------|-------------------|-----------------|-----------------|
| Construction & Materials | | | | |
| Housing | Aluminum | | | |
| Reflector | Aluminum | | | |
| Glass | Tempered glass | | | |
| Mounting | ½" NPS threaded locking swivel arm | | | |
| Finish Color | Black | | | |
| Weight | 1 lb (0.45 kg) | 1.94 lb (0.88 kg) | 3.3 lb (1.5 kg) | 3.4 lb (1.6 kg) |
| Environmental System | | | | |
| Work Environment | Suitable for Wet Locations | | | |
| Operating Temperature | -40~104°F (-40~40°C) | | | |
| L70 Life | 20,000 Hrs. | | | |
| Optical System | | | | |
| Luminous Flux | 750 lm | 1500 lm | 2250 lm | 3750 lm |
| Luminous Efficacy | 75 lm/w | | | |
| Color Temperature | 5000 K | | | |
| CRI | 70 | | | |
| Electrical System | | | | |
| Input Voltage | 100~277VAC 50/60 Hz | | | |
| Off State Power | 0 W | | | |
| Power Consumption | 10 W | 20 W | 30 W | 50 W |
| Power Factor | ≥ 0.9 | | | |
| THD | < 20% | | | |
| Output voltage | 28-38 V | | | |
| Max current | 135 mA | 315 mA | 254 mA | 414 mA |

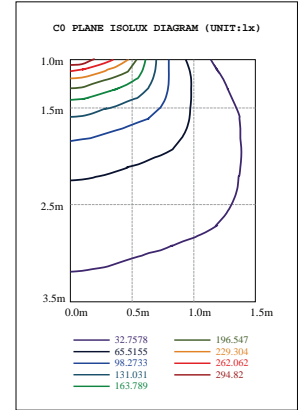
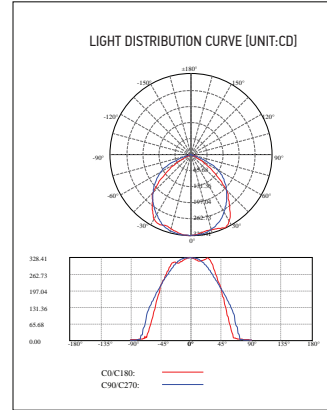
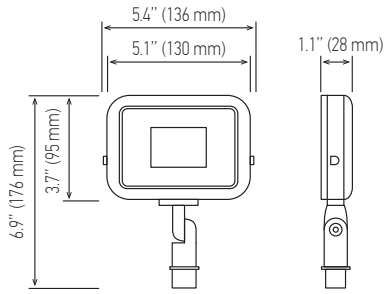
LED SMD FLAT FLOODLIGHT ORDERING INFORMATION:

| Model | Watts | GTIN 12 | GTIN 14 | Product Code | Pcs in one Carton | Carton Size | Carton Weight |
|------------|-------|--------------|----------------|--------------|-------------------|------------------|---------------|
| CSFL-A1050 | 10 W | 855029006164 | 10855029006161 | 124.0109 | 40 | 13.2"x13"x15" | 46 lb |
| CSFL-A2050 | 20 W | 855029006171 | 10855029006178 | 124.0110 | 24 | 15.8"x9.5"x17.9" | 51 lb |
| CSFL-A3050 | 30 W | 855029006188 | 10855029006185 | 124.0111 | 10 | 19.9"x10"x11" | 36 lb |
| CSFL-A5050 | 50 W | 855029006195 | 10855029006192 | 124.0112 | 10 | 19.9"x10"x11" | 37 lb |

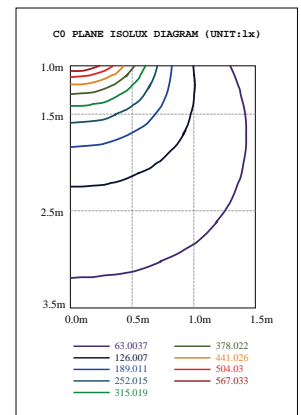
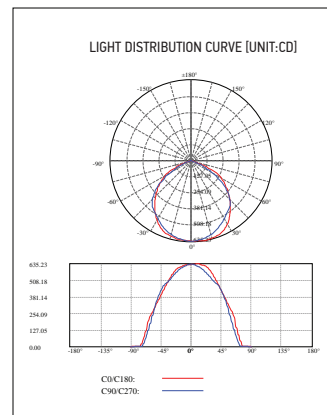
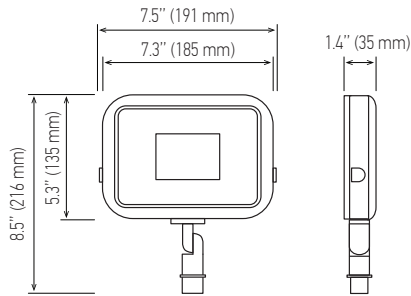


LED FLOODLIGHT COMPACT with arm series

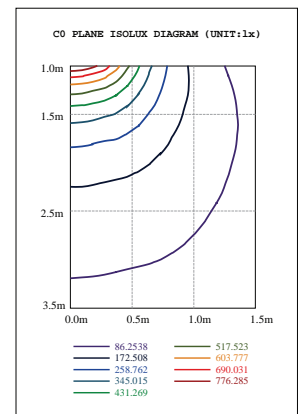
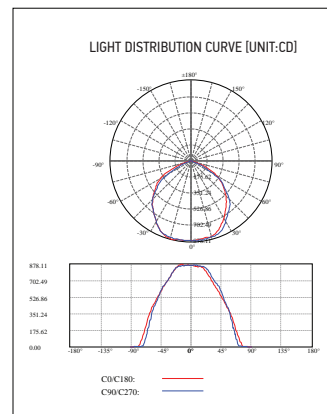
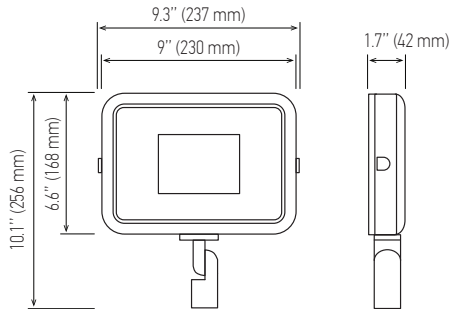
CSFL-A1050



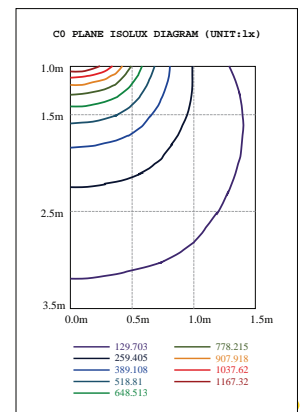
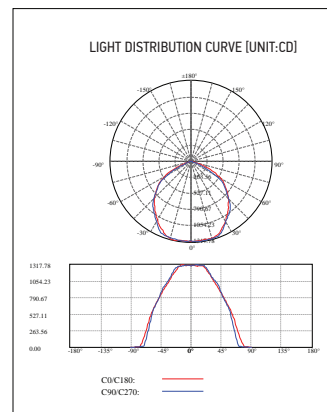
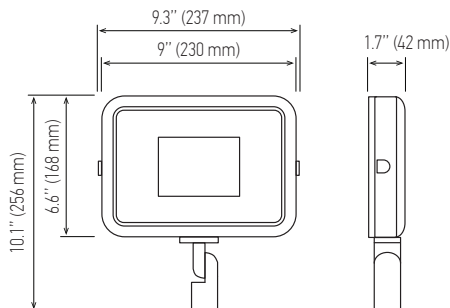
CSFL-A2050



CSFL-A3050



CSFL-A5050





LED FLOODLIGHT COMPACT with arm series

⚠ WARNING

RISK OF PERSONAL INJURY – READ and follow all WARNINGS and installation instructions.

Keep or give to the owner for future reference.

Risk of cuts: Wear gloves to prevent cuts or abrasions when removing from carton, handling, installing, and maintaining this product.

Risk of electric shock: This product must be installed in accordance with the applicable installation code by a person familiar with the construction and operation of the product and the hazards involved.

Risk of Fire: Minimum 90°C supply conductors. Consult a qualified electrician to ensure correct branch circuit conductor.

Supplier assumes no responsibility for claims arising out of improper or careless installation or handling of this product.

⚠ AVERTISSEMENT

RISQUE DE BLESSURES - Lisez et suivez toutes les MISES EN GARDE et les instructions d'installation.

Tenir ou fournir au propriétaire pour référence future.

Risque de coupures: Porter des gants pour éviter les coupures ou des écorchures lors du retrait du carton, de la manutention, l'installation et le maintien de ce produit.

Risque de choc électrique: Ce produit doit être installé conformément au code d'installation applicable par une personne familiarisée avec la construction et l'exploitation du produit et les risques impliqués.

Risque d'incendie: minimum 90° C Alimentation conducteurs. Consultez un électricien qualifié pour assurer le bon conducteur de circuit de dérivation.

Supplier n'assume aucune responsabilité pour les réclamations découlant d'une installation inadéquate ou négligente ou de la manipulation de ce produit.

⚠ ADVERTENCIA

RIESGO DE LESIONES PERSONALES – Lea y siga todas las advertencias e instrucciones de instalación.

Mantener o proporcionar al propietario para referencia futura.

Riesgo de cortes: Use guantes para evitar cortes o abrasiones en la eliminación de la caja, manejo, instalación y mantenimiento de este producto.

Riesgo de choque eléctrico. Este producto debe ser instalado de acuerdo con el código de Instalación aplicable en que una persona familiarizada con la construcción y operación del producto y los riesgos involucrados.

Riesgo de Incendio: Mínimo 90° C los conductores de suministro. Consulte a un electricista calificado para asegurarse el conductor correcto del circuito.

Supplier no asume ninguna responsabilidad por reclamaciones derivadas de una instalación inadecuada o negligente o la manipulación de este producto.



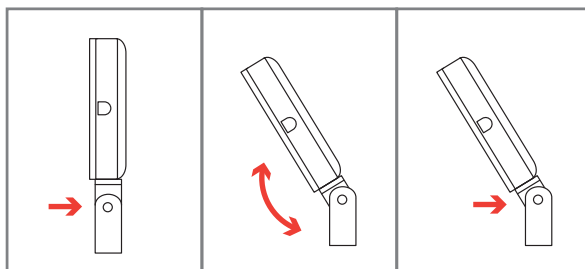
IMPORTANT SAFETY INFORMATION

Please read all the instructions below before installation.

- Make sure that the supply voltage corresponds to the rated product voltage.
- The product is designed for indoor and outdoor use.
- The product must be installed by a qualified electrician in accordance with the National Electrical Code and corresponding local codes.
- If the product is damaged, do not use it.
- All wiring connections should be capped with UL approved wire connectors.
- This fixture is intended to be connected to a properly installed and grounded UL listed junction box with suitable strain relief means for power cord. The junction box is not included, should be purchased separately.

INSTALLATION STEPS

1. Turn off the main power.
2. Adjust the arm (the arm allows you to choose the necessary light direction and to set the desired angle of a lighting fixture):



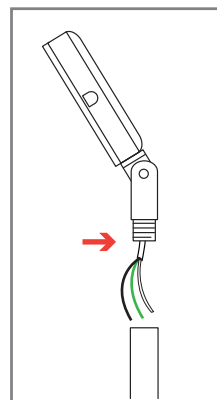
Use a wrench to loosen the screw on the arm

Adjust the arm to your desired angle

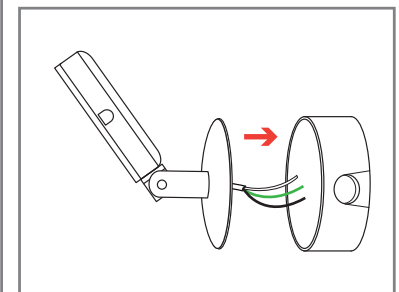
Tighten the screw

3. The floodlight can be mounted directly to an electrical box or to a pole with a 1/2" threaded insert.

GROUND MOUNTING



WALL MOUNTING



4. Turn on the main power. Installation is finished.